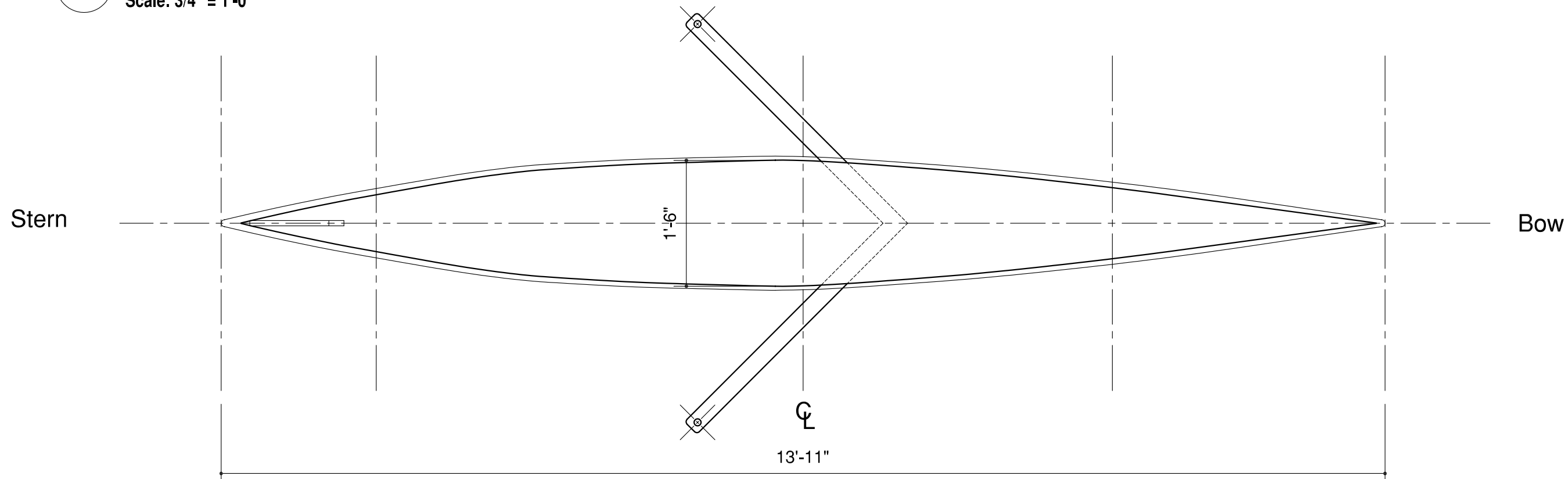


**1** **Top Plan View**  
Scale: 3/4" = 1'-0"



**2** **Bottom Plan View**  
Scale: 3/4" = 1'-0"

Seal
Drawing Top and Bottom Plan Views
Scale As Noted
Date 29 August 2008
Revisions
Drawing No.